

# Patents

## 1. OIL PUMP

(Fig. 1)

Application Number : 2015-63701  
 Application Date : 26.3,2015  
 Patent Number : 6381469  
 Registration Date : 10.8,2018  
 Title : OIL PUMP  
 Inventors : Atsuyuki Ide

### 【SUMMARY OF THE INVENTION】

An oil pump is provided with an inner rotor having external teeth, an outer rotor disposed in a loose-fit state within a pump chamber and having internal teeth meshed with the external teeth, a ring-shaped pressure chamber provided adjacent to the pump chamber in a direction of a rotation axis, a discharge opening for connecting the pump chamber and the pressure chamber, and a cylindrical discharge passage having one end connected to the pressure chamber and the other end serving as a connection opening. A portion of the discharge passage is located to open inside of the outer periphery of the pressure chamber when viewed in the rotation axis direction. The one end reaches to a middle of the pressure chamber when viewed in a radial direction of the rotation axis, and the discharge passage and the pressure chamber are in direct communication with each other.

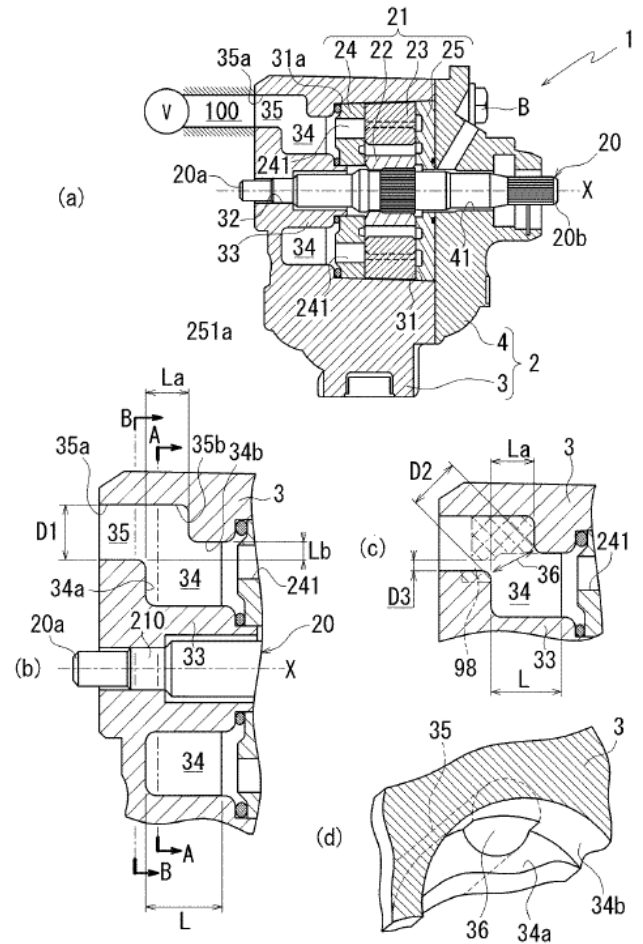


Fig. 1